

# Magic 360



Rev:01/2026  
Valid:12/2026

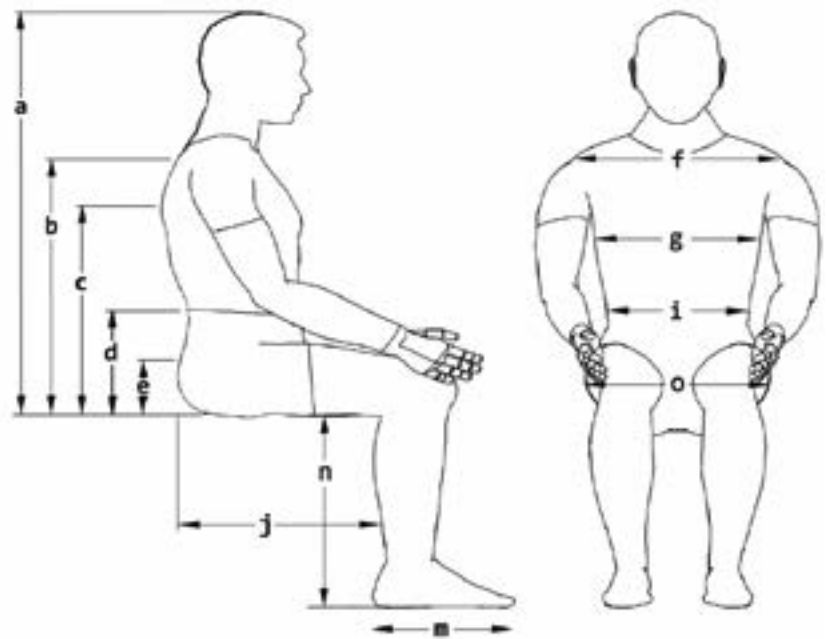
## ORDER FORM

Errors and omissions excepted..

Billing Address Or Customer-ID			Shipping Address	Identical To Billing Address
C.-ID:			C.-ID:	
Name:			Name:	
Street:			Street:	
Town/PC:			Town/PC:	
E-Mail:			E-Mail:	
Phone:			Phone:	
Order Information			User Weight	
Order	Calculation	Built-4-Me®	Art. No.:	
Purchase Order No.:			<b>User weight:</b>	<b>kg</b>
Reimbursement Code:			<b>Base Price € XX.XX,-</b>	
Order date: Day	Month	Year		

**Client Measurements**

a) Top Of Head To Seat	mm
b) Top Of Shoulder To Seat	mm
c) Underarm To Seat	mm
d) Elbow To Seat	mm
e) Top Of Pelvis To Seat	mm
f) Shoulder Width	mm
g) Trunk Width	mm
i) Hip Width	mm
j) Actual Sitting Depth	mm
m) Foot Length	mm
n) Lower Leg Length	mm
o) Actual Seat Width	mm



**Technical Data**

<b>User Weight Capacity</b>	160 kg with seat lift and seat inclination	<b>Ground Clearance</b>	85 mm (depends on the configuration)
<b>Base Width</b>	610 - 660 mm	<b>Drive Wheels &amp; Castors</b>	355 mm (14") Drive Wheels and 200 mm (8") Castors (Solid Tyres)
<b>Chassis length</b>	983 mm (min.)	<b>Charger</b>	220 V/10 A
<b>Drive Control</b>	R-Net	<b>Battery Size</b>	80 Ah
<b>Drive Motors</b>	10 km/h, 2 x 800 W, 4-Pole Motors	<b>Turning radius</b>	615 - 665 mm
<b>Standard configuration</b>	Including MPS back system, MPS seat system, maintenance-free 80 Ah batteries and 10 A charger		
<b>Tyres</b>	Maximum tyre pressure depending on user weight from 0.25 to 0.55 bar (see table in instruction manual)		
<b>Tie down points</b>	Integrated and attached to the base		

**Drive Unit**

**Power Wheelchair** €

MAG010011	<b>MAGIC 360</b>	XXX,-
-----------	------------------	-------

**Colour Selection** €

MAG5522	Sunset Red	XXX,-
MAG5528	Rich Garnet	XXX,-
MAG5525	Desert Orange	XXX,-
MAG5523	Sunrise Yellow	XXX,-
MAG5524	Lucent Lime	XXX,-
MAG5521	Horizon Blue	XXX,-
MAG5527	Vivid Pink	XXX,-
MAG5529	Dusk Purple	XXX,-
MAG5526	Stormy Silver	XXX,-
MAG5520	Midnight Black	XXX,-
MAG5531	Flames Fury Please Take Into Account That Each Cover Is Handmade And Can Therefore Differ In Appearance And Colouring.	XXX,-
MAG5530	Camo Forest Please Take Into Account That Each Cover Is Handmade And Can Therefore Differ In Appearance And Colouring.	XXX,-
MAG5532	Carbon Fibre	XXX,-

**Magic 360 Drive Wheel And Castor Kits** €

MAG5930	Offroad wheel and castor	XXX,-
MAG5931	Offroad wheel and castor with Tyre Liner	XXX,-
MAG5928	Crossover wheel and castor, Black	XXX,-
MAG7981	Crossover wheel and castor with Tyre Liner, Black	XXX,-
MAG5929	Crossover wheel and castor, Grey	XXX,-
MAG5925	Urban wheel and castor, Black pneu	XXX,-
MAG5924	Urban wheel and castor, Black solid	XXX,-
MAG5927	Urban wheel and castor, Grey pneu	XXX,-
MAG5926	Urban wheel and castor, Grey solid	XXX,-

**Puncture Resistance Options** €

MAGNFLAT-NEW	Neverflat, puncture resistant Not Available For MAG5931, MAG5924, MAG5926	XXX,-
--------------	--	-------

**LED Lights** €

MAG5227	Omit lights	XXX,-
MAG5142	360 Lighting mounted on seat	XXX,-
MAG5729	360 Lighting mounted on base	XXX,-

**Vehicle Docking Pin** €

MAG6566	Dahl docking plate (max. 136 kg user weight) DAHL Adaptation kit #501798 Available From DAHL Engineering	XXX,-
---------	---	-------

**Chargers** €

MAG160103	Charger, Automatic, 220 V / 10 A, UK	
MAG160104	Charger, Automatic, 220 V / 10 A	

**SEAT**

**Seat Tilt Modules**

		€
MAG5984	Fixed Frame, 3° tilt preset (no power functions)	XXX,-
MAG5985	Fixed Frame, 3° tilt preset (only lighting)	XXX,-
MAG5986	Fixed Frame, 3° tilt preset (with Power Options)	XXX,-
MAG5127	Tilt (0 - 50°)	XXX,-
MAG5126	Lift and Tilt (300 mm lift, 0 - 45°)	XXX,-

**Seat Height**

		€
MAG6552	Seat Height: Leave as is	XXX,-
MAG6553	Seat Height: +25mm front, +25mm rear Added Seat Height Versus 435 mm Standard Seat Height, Seat Height Kits Required For Lower Leg Lengths 390-430 mm	XXX,-
MAG6554	Seat Height: +50mm front, +50mm rear Added Seat Height Versus 435 mm Standard Seat Height, Seat Height Kits Required For Lower Leg Lengths 390-430 mm	XXX,-
MAG5129	Seat Height: -25mm front, +25mm rear Added Seat Height Versus 435 mm Standard Seat Height, Seat Height Kits Required For Lower Leg Lengths 390-430 mm	XXX,-

**Seating Systems**

		€
MAGMPSSEATVINYL	MPS Seat in VINYL	XXX,-
MAGMPSSEATFABRIC	MPS Seat in FABRIC	XXX,-
MAGREHABSEATPAN	Rehab seat pan, choose MPS or rehab seat cushion later	XXX,-

**Section A – MPS Seat Size**

**Seat width**

MAGSW430MM	405 mm	
MAGSW455MM	455 mm	
MAGSW510MM	510 mm	

**Seat depth**

MAGSD405MM	405 mm	
MAGSD455MM	455 mm	
MAGSD510MM	510 mm	

**Section B – Rehab Seat Sizes** 

**Seat width** Depth minus Width Must Not Exceed 50 mm

MAGSW305MM	305 mm	MAGSW405MM	405 mm	MAGSW510MM	510 mm
MAGSW330MM	330 mm	MAGSW430MM	430 mm	MAGSW535MM	535 mm
MAGSW355MM	355 mm	MAGSW455MM	455 mm	MAGSW560MM	560 mm
MAGSW380MM	380 mm	MAGSW480MM	480 mm		

**Seat depth** Depth minus Width Must Not Exceed 50 mm

MAGSD305MM	305 mm	MAGSD405MM	405 mm	MAGSD510MM	510 mm
MAGSD330MM	330 mm	MAGSD430MM	430 mm	MAGSD535MM	535 mm
MAGSD355MM	355 mm	MAGSD455MM	455 mm	MAGSD560MM	560 mm
MAGSD380MM	380 mm	MAGSD480MM	480 mm		

**SEAT**

**Section B – Seat Cushion For Rehab Seat**

€

MAGWOSEATCUSH	No seat cushion	XXX,-
MAGCMRC	MPS Removable Seat Cushion Minimum Width And Depth 405 mm; Seat cushion sizes only available according to Section A	XXX,-
MAGPADDEDSC	Flat padded seat cushion	XXX,-

**Section B – UPH For Rehab Seat Cushion**

€

MAGSUFABRIC	Fabric	XXX,-
MAGSUVINYL	Vinyl	XXX,-

**BACKREST**

**Backrest for MPS Seat**

€

MAGMPSBACK	MPS Back	XXX,-
------------	----------	-------

**Backrest for Rehab Seat Pan**

€

MAGMPSBACKREHAB	MPS backrest	XXX,-
MAGREHABCANES	Rehab canes, choose MPS or rehab insert back later	XXX,-
MAGREHABFOLD	Rehab canes with fold forward, choose MPS or rehab insert back later	XXX,-

**MPS Back UPH**

€

MAGFABRICBR	Fabric	XXX,-
MAGVINYLBR	Vinyl	XXX,-

**MPS Backrest – Sizes**

€

**Backrest width** Backrest Height Minus Backrest Width Must Exceed 50 mm; Back width has to match seat width selected

MAGBW405MM	405 mm	XXX,-
MAGBW455MM	455 mm	XXX,-
MAGBW510MM	510 mm	XXX,-

**Backrest height** Backrest Height Minus Backrest Width Must Exceed 50 mm

MAGBH535MM	535 mm	XXX,-
MAGBH585MM	585 mm	XXX,-

Recline Option		€
<b>Recline option for MPS seat and MPS back</b>		
MAG3900-S-3901-F	Manual Recline (90° - 170°)	XXX,-
MAG3904-S-3905-F	Power Recline (90° - 150°) Not Available With Fixed Tilt MAG5984, MAG5985	XXX,-
<b>Recline option for Rehab seat and MPS back</b>		
MAG3908-S-3909-F	Manual Recline (90° - 170°)	XXX,-
MAG3912-S-3913-F	Power Recline (90 - 160°) Backrest Height Minus Backrest Width Must Exceed 50 mm	XXX,-
<b>Recline Option for Rehab seat and Rehab canes</b>		
MAG3920-S-3921-F	Fixed (90° - 105°), (90°, 97,5°, 105°)	XXX,-
MAG3924-S-3925-F	Manual Recline (90° - 170°)	XXX,-
MAG3928-S-3929-F	Power Recline (90° - 160°) Backrest Height Minus Backrest Width Must Exceed 50 mm	XXX,-
MAG3932-S-3933-F	Anti-shear power recline (95° -155°) Backrest Height Minus Backrest Width Must Exceed 50 mm, not with SW 305, 330, 355	XXX,-
<b>Recline option for Rehab seat and Rehab canes, Foldable to the front</b>		
MAG3922-S-3923-F	Fixed (90° - 105°), (90°, 97,5°, 105°)	XXX,-
MAG3926-S-3927-F	Manual Recline (90° - 170°)	XXX,-
MAG3930-S-3931-F	Power Recline (90° - 160°) Backrest Height Minus Backrest Width Must Exceed 50 mm	XXX,-
MAG3934-S-3935-F	Anti-shear power recline (95° -155°) Backrest Height Minus Backrest Width Must Exceed 50 mm, not with SW 305, 330, 355	XXX,-

**Please Fill In Only If Rehab Seat Selected!**

Rehab Insert Back		€
MAGBACKRESTINSERT	Magic Rehab insert back Only Available With MAGREHABCANES And MAGREHABFOLD	XXX,-
MAGMPSINSERT	MPS insert back Only with MTO fabric upholstery (except Standard)	XXX,-

Magic Rehab Insert Backrest Cushion		€
MAGBRMRJ	Junior (350 mm height)	XXX,-
MAGBRMRJXS	Junior (Xtra tall, 410 mm height)	XXX,-
MAGBRMRMS	Medium (Short, 430 mm height)	XXX,-
MAGBRMRM	Medium (480 mm height)	XXX,-
MAGBRMRMXT	Medium (Xtra tall, 530 mm height)	XXX,-
MAGBRMRLS	Large (Short, 430 mm height)	XXX,-
MAGBRMRL	Large (480 mm height)	XXX,-
MAGBRMRLXT	Large (Xtra tall, 530 mm height)	XXX,-

Rehab Back Insert UPH		€
MAGFABRICBR	Fabric	XXX,-
MAGVINYLBR	Vinyl	XXX,-

Rehab Back Insert Bolster Size		€
<b>For Magic Rehab back cushion large/medium</b>		
MAGBOLSTERS	Shallow (110 mm depth)	XXX,-
MAGBOLSTERSTD	Standard (160 mm depth)	XXX,-
MAGBOLSTERD	Deep (220 mm depth)	XXX,-
MAGNOBOLSTER	No bolster	XXX,-

Rehab Back Insert Lumbar		€
MAGLUMBAR S	Shallow (12 mm insert)	XXX,-
MAGLUMBAR STD	Standard (25 mm insert)	XXX,-
MAGLUMBAR D	Deep (35 mm insert)	XXX,-
MAGNOLUMBAR	No lumbar	XXX,-

Insert Back Clamps		€
MAG3495	Standard, fixed clamps	XXX,-
MAG3492-PI	Quick Release	XXX,-

Push Handles		€
MAG0057-PI	MPS Push Rail	XXX,-
MAGPRHA	MPS Height adjustable handles	XXX,-
MAG0056-WOKOR-2	MPS Peg handles	XXX,-
MAG46354636	Rehab peg handles	XXX,-

Backrest Bag Hooks		€
MAG5724	MPS Bag hooks (pair) on backrest	XXX,-
MAG5723	Rehab Bag hooks (J-shaped) on spreader bar	XXX,-

Headrest - All Types		€
<b>MPS Headrest</b>		
MAG2770VI	MPS Headrest, MPS Mount, Fabric to match backrest	XXX,-
<b>Rehab Headrest</b>		
MAGREHABSTD	Magic Rehab Standard	XXX,-
MAGREHABWIDE	Magic Rehab Wide	
<b>Headrest Mount (for REHAB headrests only)</b>		
MAG4113	2 AXIS (single stem, 2 pivot points)	XXX,-
MAG4114	3 AXIS (single stem, 3 pivot points)	XXX,-
MAG4115	MULTI AXIS (single stem)	XXX,-

Rehab Headrest		€
MAGFABRICH R	Fabric	XXX,-
MAGVINYLHR	Vinyl	XXX,-

## ARMREST- ALL TYPES

Armrest – Types		€
MAG3572	Pair - standard armrest, single stem	XXX,-
MAG3994	Pair - standard armrest, double stem	
MAGFLEXIARM	Pair - flexi armrest	XXX,-
MAG6503-6502	Pair - flexi armrest with locked position	XXX,-
MAG3331-6500	Pair - flexi armrest with locking post Only with MTO fabric upholstery (except Standard)	XXX,-
MAG3727-6501	Pair - flexi armrest with locking post and drop down	XXX,-

Armrest – Heights									
MAGAH220MM	220 mm	MAGAH260MM	260 mm	MAGAH300MM	300 mm	MAGAH340MM	340 mm	MAGAH380MM	380 mm
MAGAH230MM	230 mm	MAGAH270MM	270 mm	MAGAH310MM	310 mm	MAGAH350MM	350 mm	MAGAH390MM	390 mm
MAGAH240MM	240 mm	MAGAH280MM	280 mm	MAGAH320MM	320 mm	MAGAH360MM	360 mm		
MAGAH250MM	250 mm	MAGAH290MM	290 mm	MAGAH330MM	330 mm	MAGAH370MM	370 mm		

Armpad – Style		€
MAGAP75-WOKOR-2	75 mm armpads	XXX,-
MAG3971-3972	MPS armpads	XXX,-
MAG3712	MPS flip-out armpads	XXX,-
MAGAP50-2	50 mm armpads	XXX,-
MAG6711	Waterfall armpads	XXX,-
MAG3775	Gutter armpads	XXX,-
MAG6750	Gutter armpads with elbow support pad	XXX,-
MAG6751	Gutter armpads with hand pad	XXX,-
MAG6752	Gutter armpads with hand pad and elbow support pad	XXX,-

Armpad – UPH		€
MAGAPVINYL	Vinyl	XXX,-
MAGAPFABRIC	Fabric	XXX,-

Armrest Bag Hooks		€
MAGHOOKA2RH	Right Side Armrest baghooks	XXX,-
MAGHOOKA2LH	Left Side Armrest baghooks	XXX,-

## Legrests

Footplate Height							
MAGLL300MM Only for CPL MAGCPLEG- REST	300 mm	MAGLL340MM	340 mm	MAGLL380MM Seat Height Kit Required	380 mm	MAGLL420MM Seat Height Kit Required	420 mm
MAGLL310MM	310 mm	MAGLL350MM	350 mm	MAGLL390MM Seat Height Kit Required	390 mm	MAGLL430MM Seat Height Kit Required, Only for CPL MAGCPLEGREST	430 mm
MAGLL320MM	320 mm	MAGLL360MM	360 mm	MAGLL400MM Seat Height Kit Required	400 mm		
MAGLL330MM	330 mm	MAGLL370MM	370 mm	MAGLL410MM Seat Height Kit Required	410 mm		

Legrest – Choice		€
MAGCPLEGREST	Centre Post legrest	XXX,-
MAGCPOWER	Centre Mount Power elevating legrest Not Available With Fixed Tilt MAG5984	XXX,-
MAG3528	Swingaway legrest	XXX,-
MAG3527-ME	Manual Elevating Swinagaway legrest	XXX,-
MAG3526-ME	Power Elevating Swingaway legrest Not Available With Fixed Tilt MAG5984	XXX,-

Footplate		€
MAG4055FIX	Centre Post: 1 piece fixed footplate	XXX,-
MAG4055FIX-2	Centre Post: 2 piece fixed footplate	XXX,-
MAG4055	Centre Post: 1 piece flip up footplate	XXX,-
MAG4055-2	Centre Post: 2 piece flip up footplate	XXX,-
MAG4055SFP	Centre Post: 1 piece flip up, SHORT	XXX,-
MAG4055SFP-2	Centre Post: 2 piece flip up, SHORT	XXX,-
MAG4755	CMPE: 1 piece flip up	XXX,-
MAG4755-2	CMPE: 2 piece flip up	XXX,-
MAGFLIPUP	2 piece flip up Only For Swing Away Legrests	XXX,-

Footplate Options		
MAG4312	Swingaway footplate lock Only For Swing Away Legrests	XXX,-
MAG5323	Metal edges Only for CPL MAGCPLEGREST	XXX,-
MAG4260	Abduction block (neoperene)	XXX,-

Calf Support		€
MAGCALFSUPPORT	Calf support standard	XXX,-

Knee Pads		€
MAG4247	Knee pads	XXX,-
MAGKPCMPE	Knee pads for CMPE	XXX,-
MAG4660	Knee pads for non-elevating swingaway legrests	XXX,-
MAG4104	Knee pads for elevating swingaway legrests	XXX,-

## Positioning

Lap Belt							€
MAG4973-MPS-4974-R	Standard Posture belt	500 mm	600 mm	700 mm	800 mm		XXX,
MAG4973-4974-PBPAD	Standard Posture belt with 2 posture belt pads	500 mm	600 mm	700 mm	800 mm		XXX,
MAG6540	4 point seat belt (PB4P)	500 mm	600 mm	700 mm	800 mm		XXX,
MAG6540-2XPBPAD-4	4 point seat belt with 2 posture belt pads	500 mm	600 mm	700 mm	800 mm		XXX,
MAG4730	Retractable lap belt (for rehab seat)						XXX,
	MAGLBLH					Left sided buckle Only For Standard Posture Belt	XXX,
	MAGLBRH					Right sided buckle Only For Standard Posture Belt	XXX,
MAG4731	Retractable lap belt (for MPS seat)						XXX,
	MAGLBLH					Left sided buckle Only For Standard Posture Belt	XXX,
	MAGLBRH					Right sided buckle Only For Standard Posture Belt	XXX,

Thoracic Support (pad and mount)		€
MAG1506	Adjustable brackets (MPS back)	XXX,-
MAG4943	Adjustable brackets (MPS insert back)	XXX,-

Hip Pads - In Vinyl		€
MAGHPKIT	Hip pads on adjustable brackets (pair)	XXX,-

Harness		€
MAGHARP	Harness pediatric	XXX,-
MAGHARQ	Harness standard	XXX,-

## Control / Electronics

Controller – R-Net		€
MAGPG-JSMLEDL	Basic LED JSM (no colour screen)	XXX,-
MAGPG-JSM-PI	Colour Screen JSM	XXX,-
MAGPG-JSM2IRL	Colour screen JSM2 + IR only	XXX,-
MAGPG-JSMIRBT	Colour screen JSM2 + Bluetooth + IR	XXX,-

<b>Control+5 Module</b>		€
MAG158709	CTRL+5 Switch Module (button)	XXX,-
MAG158708	CTRL+5 Switch Module (Toggle style)	XXX,-
<b>Control+5 Location</b>		€
MAG5430	On the armrest, same side as joystick	XXX,-
MAG5431	On the armrest, opposite side to joystick	XXX,-
MAG5432	Attendant (rear mounted)	XXX,-
<b>Joystick Knob Option</b>		€
MAGKNOBSTD	Standard joystick knob	XXX,-
MAGPG-KS80	Stick S80	XXX,-
MAGPG-KCHIN	Chin C38	XXX,-
MAGPG-KB32	Ball B32	XXX,-
MAGPG-KB38	Ball B38	XXX,-
MAGPG-KM48	Mushroom M48	XXX,-
MAGPG-KTBAR	T-Bar T80	XXX,-
MAGPG-KSB70	Soft Ball SB70	XXX,-
<b>Joystick Position</b>		€
MAGJSRIGHT	Joystick Right	XXX,-
MAGJSLEFT	Joystick Left	XXX,-
MAGPGCYPGC2.03725	Interchangeable to Left and Right	XXX,-
MAG3330JSM-RH	Mount JSM as an attendant control - Right (MPS back)	XXX,-
MAG3330JSM-LH	Mount JSM as an attendant control - Left (MPS back)	XXX,-
MAG3329JSM-RH	Mount JSM as an attendant control - Right (Rehab back)	XXX,-
MAG3329JSM-LH	Mount JSM as an attendant control - Left (Rehab back)	XXX,-
<b>Swingback Options</b>		€
MAG110050	Joystick Mounting, Fixed	XXX,-
MAG3083-KIT-OS	Swingback joystick to the OUTSIDE (with magnets)	XXX,-
MAG3083-KIT-IS	Swingback joystick to the inside (with magnets)	XXX,-
MAG3082-KIT-OS	Swingback joystick to the OUTSIDE (with locking latch)	XXX,-
MAG3082-KIT-IS	Swingback joystick to the inside (with locking latch)	XXX,-
<b>Joystick Mounting Position</b>		€
MAG4980	Height Adjustable Joystick Stem - for standard joystick stem	XXX,-
MAG3713	Height Adjustable Joystick Stem - for swingback joystick stem	XXX,-
MAG3729STD	Quick release stem (for standard joystick stem only)	XXX,-
MAG3729SB	Quick release stem (with swingback)	XXX,-
<b>Speciality Controls</b>		€
MAG5436	Omni2	XXX,-
MAG3391	JSM, Omni2 + Head control	XXX,-
MAG3335-MPS4550-LH	JSM, Omni2 + Chin control (Left)	XXX,-
MAG3335-MPS4550-RH	JSM, Omni2 + Chin control (Right)	XXX,-
MAGPG-OMNISCANNER	Omni2 Enhanced 6-way scanner (single switch feature)	XXX,-
	Omni2 location	
	MAGOMNILH: Omni2 location, Left	MAGOMNIRH: Omni2 location, Right

Attendant Control		€
MAG3330AM-KIT	Attendant control module for MPS back	XXX,-
MAG3329AM-KIT	Attendant control module for Rehab back	XXX,-
	Attendant Control	
	MAGAC LH: Attendant Control, Left	MAGAC RH: Attendant Control, Right

Accessories		€
MAG3145	Luggage Rack	XXX,-
MAG4471	RAM® Cup holder	XXX,-
MAG4627	Magic Mobility Steel cup holder Drink Holder (Always Mounted On The Opposite Side Of The Control Panel/Table)	XXX,-
MAG4478	Magic Mobility Steel cup and phone holder (combined)	XXX,-
MAG4705	Accessory charger (1x12V + 2xUSB) - side rail mounted, same side as joystick	XXX,-
MAG6629	Accessory charger (2xUSB) - side rail mounted, opposite to joystick	XXX,-
MAG4801	Accessory charger (2xUSB) - armrest mounted, same side as joystick	XXX,-
MAG6594	Accessory charger (2xUSB) - armrest mounted, opposite to joystick	XXX,-
MAG5360	Loud horn	XXX,-
MAG4834	A4 Accessory bag (mounted on the backrest)	XXX,-
MAG4834RH	A4 Armrest bag (mounted on the right armrest)	XXX,-
MAG4834LH	A4 Armrest bag (mounted on the left armrest)	XXX,-
MAG4834-2	A4 Armrest bags (mounted on the left and right armrest)	XXX,-
MAG5320RHI	A5 Armrest bag (mounted internally, right armrest)	XXX,-
MAG5320LHI	A5 Armrest bag (mounted internally, left armrest)	XXX,-
MAG5320RHE	A5 Armrest bag (mounted externally, right armrest)	XXX,-
MAG5320LHE	A5 Armrest bag (mounted externally, left armrest)	XXX,-
MAG48345320I	A4 & A5 Armrest bags (A4 joystick side, A5 internal facing)	XXX,-
MAG48345320	A4 & A5 Armrest bags (A4 joystick side, A5 external facing)	XXX,-
MAGCOVER	Wheelchair cover	XXX,-

Clear Tables		€
MAG2677	Swingaway small table, 320 x 240mm not with MAGPGCYPGC2.03725, interchangeable joystick mount	XXX,-
MAG7700	Swingover table with magnet	XXX,-

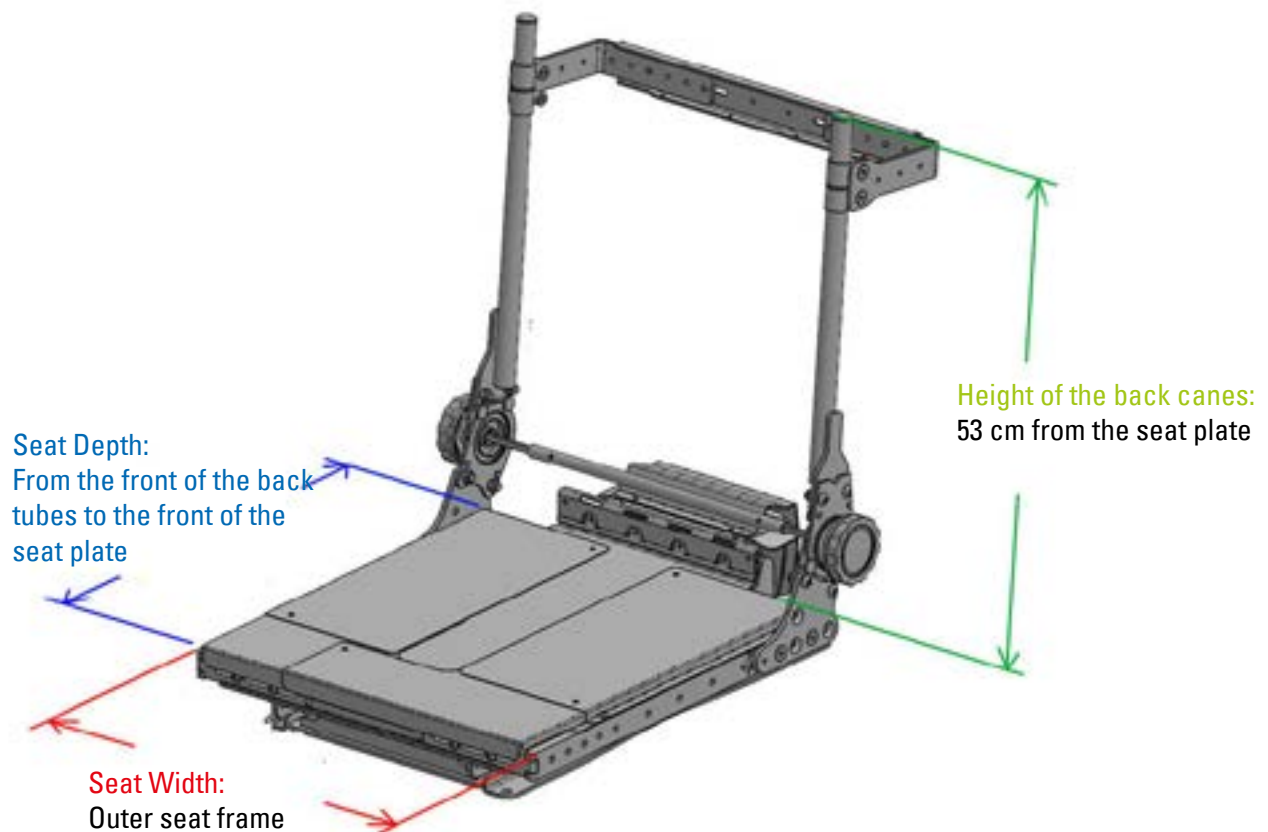
## Dimension Matrix MPS-SEAT

◀ BACK



## Dimension Matrix REHAB-SEAT

◀ BACK



MAGIC REHAB INSERT SIZE

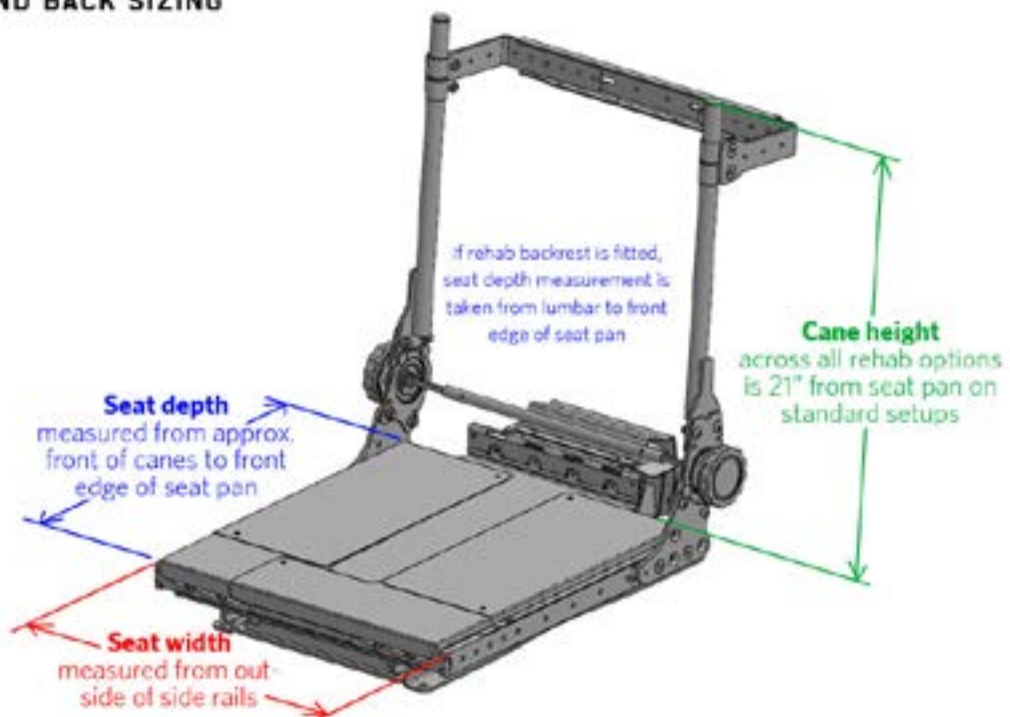


Chest Width 'C'	Height 'Y' (mm)
<b>330-470mm</b>	
Large (Xtra tall)	530
Large	480
Large (Short)	430
<b>280-420mm</b>	
Medium (Xtra tall)	530
Medium	480
Medium (Short)	430
<b>260-400mm</b>	
Junior (Xtra tall)	410
Junior	350

- Bolsters can be mounted upside down for increased armpit support
- Bolster heights can be offset up and down, up to 25mm between each side (asymmetric)

© Magic Mobility 2016

REHAB SEAT AND BACK SIZING



© Magic Mobility 2016

## Colors

◀ BACK



## Drive Wheels

◀ BACK



BLACK PNEUMATIC

**OFF-ROAD**

- Soft ride with good shock absorption
- Best traction on all surfaces
- 650mm base width



BLACK PNEUMATIC



GREY PNEUMATIC

**CROSSOVER**

- Soft ride with decent shock absorption
- Good traction
- Grey tyre non-marking
- 635mm base width



BLACK SOLID



GREY SOLID

**URBAN**

- Polyurethane solid inserts cannot be punctured
- Black tyre is low-marking compound
- Grey tyre non-marking
- 610mm base width



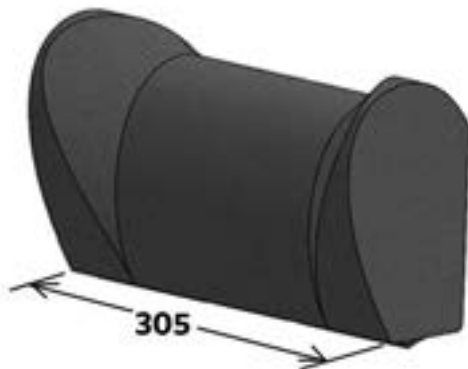
**MAGIC 360 PUNCTURE RESISTANCE****NEVERFLAT**

- Offers good puncture protection for pneumatic tyres

liner fits in between tube and tyre, providing a robust protective barrier

**PUNCTURE RESISTANT KIT**  
**[WITH PNEUMATIC OFF-ROAD & CROSSOVER TYRES]**

- Offers comprehensive protection against glass, rocks, thorns, etc.
- Produced with aramid fibre and natural rubber
- Filled with Neverflat to give extra protection
- Can be retrofitted to all Magic Mobility chairs with knobby tyres

**MPS HEADREST**

## Armrests

← BACK

## ARMREST TYPE (1)



## STANDARD

Note: 25mm of extra adjustment is added to bottom

DOUBLE STEM  
For bariatric users

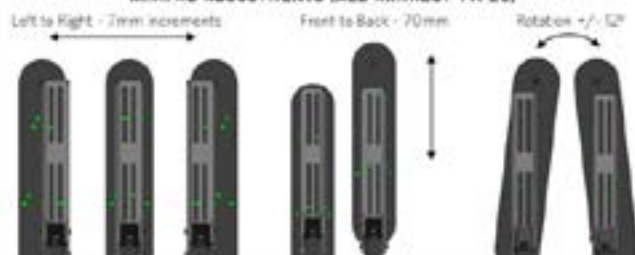
## FLEXI

Flip-up, paralleling

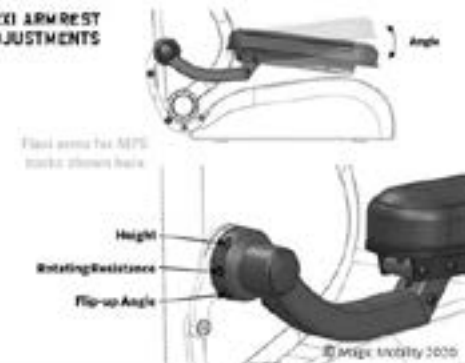
Note: Depending on requested armrest height the Flexi arms will be assembled using slightly different parts. Therefore the range for each armrest will not be the full 220-440mm

Requested Height	Actual Range (Flexi on MPS back)	Requested Height	Actual Range (Flexi on Rehab back)
220-330mm	220-370mm	220-330mm	180-360mm
340-370mm	250-400mm	340-440mm	275-440mm
380-440mm	330-440mm		

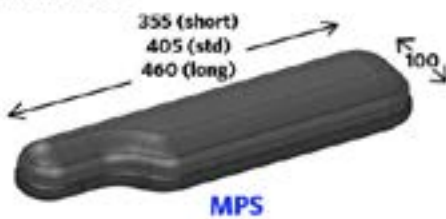
## ARMPAD ADJUSTMENTS (ALL ARMREST TYPES)



## FLEXI ARMREST ADJUSTMENTS



## ARMPADS

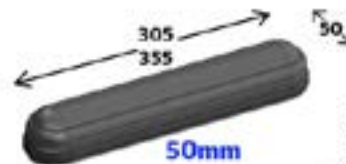


## MPS

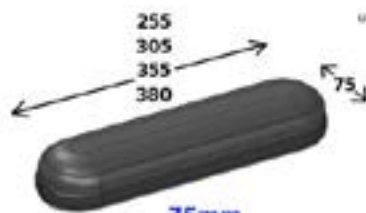


## MPS Flip-out

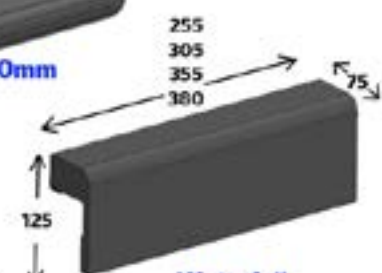
Allows the arm pads to be in line to the user while still allowing flip up (Flexi arms only)



## 50mm



## 75mm



## Waterfall



## Gutter

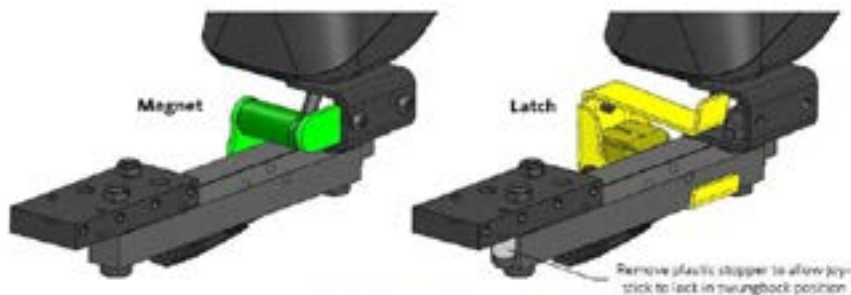
Optional hand pad  
If this is fitted, armpad length will be reduced to suit

If MPS 50mm, 75mm, gutter or waterfalls armpads are selected, the length of armpad fitted will generally be based on the seat depth. See below table for details. If specific armpad length is required please state this on order form

SEAT DEPTH ▶	12"	13"	14"	15"	16"	17"	18"	19"	20"	21"	22"	23"	24"	
50mm Arm Pad	255	255	305	305	305	305	305	305	380	380	380	380	380	← Armpad length
75mm Arm Pad	255	255	305	305	305	305	305	305	380	380	380	380	380	← Armpad length
Gutter Arm Pad	255	255	305	305	305	305	305	305	380	380	380	380	380	← Armpad length
Waterfall Arm Pad	255	255	305	305	305	305	305	305	380	380	380	380	380	← Armpad length
MPS Arm Pad	-	-	-	-	355	355	405	405	460	460	460	460	460	← Armpad length

## Joystick Mounting

← BACK



## Swingback Joystick Release Options

Magnet	Latch
<ul style="list-style-type: none"> <li>Requires more force but no dexterity to release</li> <li>Can potentially release if wheelchair is being driven erratically or over rough terrain</li> <li>Releases more easily if impacted</li> </ul>	<ul style="list-style-type: none"> <li>Requires minimal force but some dexterity to release</li> <li>Will stay locked at all times unless latch is pushed</li> <li>Less likely to release if impacted, potentially causing more damage</li> <li>Can be locked in fully swing-back position (optional)</li> <li>Custom levers can be screwed to latch to make releasing it easier for clients with less hand movement</li> </ul>



## JOYSTICK STEM OPTIONS



65mm downwards adjustment from default position. Adjust height by releasing star knob



65mm downwards adjustment from default position. Adjust height with 3mm Allen key



## HEIGHT ADJUSTABLE JOYSTICK STEM



## QUICK RELEASE MOUNT

## Joystick Knobs

← BACK



## FOOTPLATE SELECTION



1 PIECE FLIP UP



2 PIECE FLIP UP



1 PIECE FIXED

Fastening bolts can be removed to allow footplate to flip up if required in the future



2 PIECE FIXED

Can adjust each footplate to a different angle



• Frontier V6  
All Terrain  
& Hybrid

• Extrams X8

Note: large footplate will be fitted wherever possible



• Frontier V6  
C40 & C73

• Frontier V4 FWD

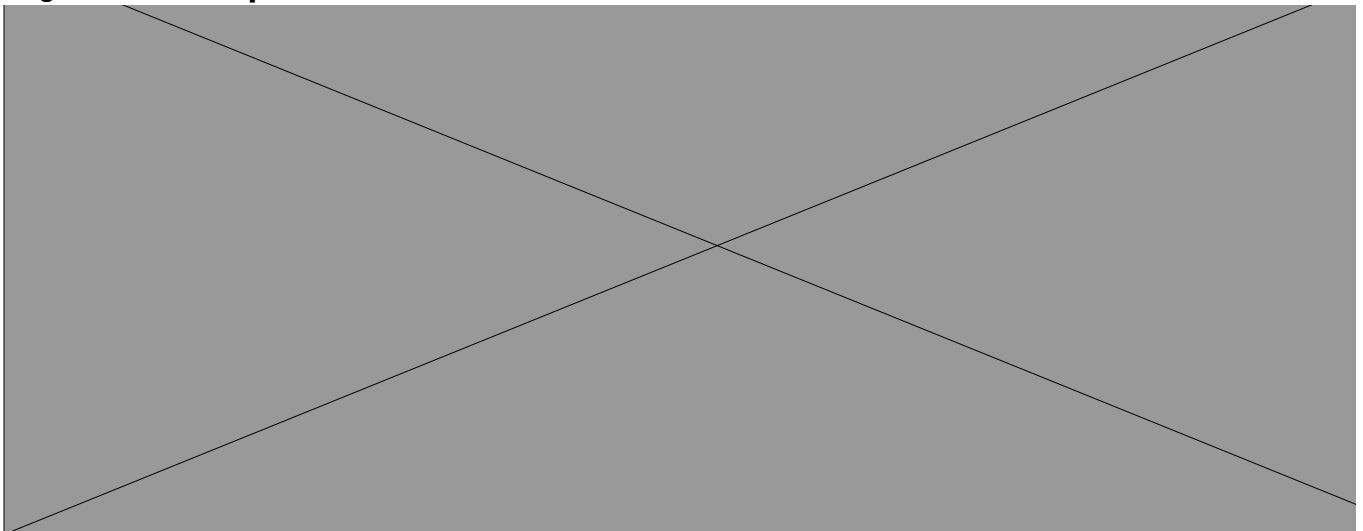
• Frontier V4 RWD



## SHORT FOOTPLATES

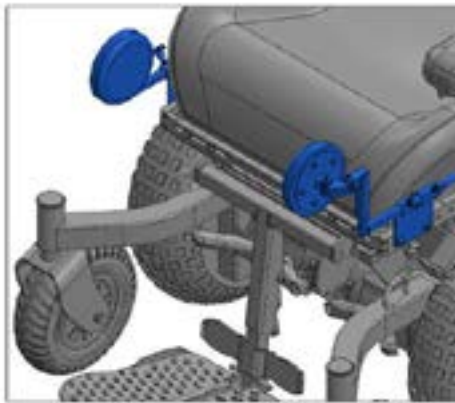
© Magic Mobility 2016

## Legrest MK2 Footplate Lock

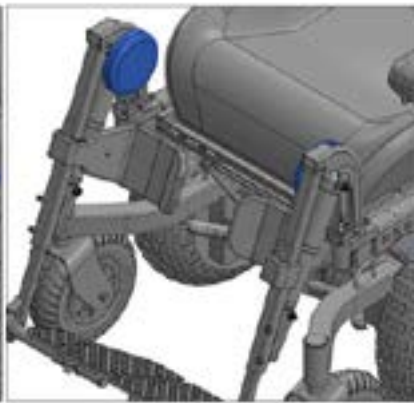


## Knee Pads

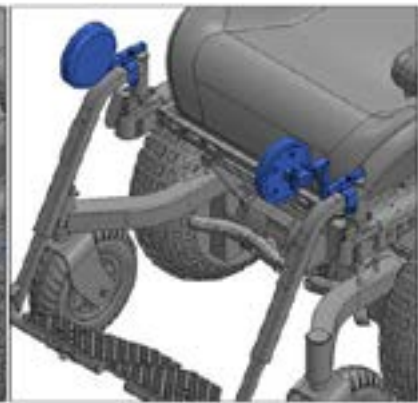
◀ BACK



**Centre mount legrest  
(fixed and power elevating)**  
3 axes of adjustment



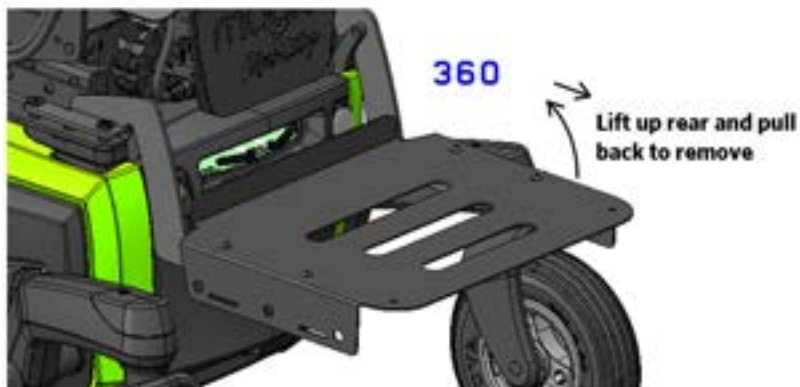
**Power or gas swingaway legrest**  
Fixed kneepad attached to legrest pivot



**Standard swingaway legrest**  
3 axes of adjustment

## Rear Boot Plate

◀ BACK



## Cup Holder

◀ BACK



If swingaway legrests are fitted the cup holder mount bracket may be offset higher to avoid top of legrest (depending on armrest height)



Note: Previous cup holder can be fitted if required. See option on order form.



## Armrest Bag

◀ BACK



**Mounts under armrest**  
(unless otherwise requested)

If swingback joystick is selected it is generally more suitable to fit accessory bag to opposite side

© Magic Mot

## Table Options

◀ BACK

## TABLE OPTIONS

Clear polycarbonate table shown below. Black HD plastic is also available (typically without folded edges)

Unless a drawing has been supplied with specifications for cut out sizes for stomach and joystick, the slide in and swingover tables will be provided as a kit

Table stem slides into opposite side to joystick



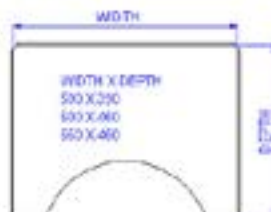
**SLIDE IN LARGE TABLE**

Table rests on armpad opposite to stem



**DOUBLE STEM LARGE TABLE**

For chairs with attendant control ONLY (no joystick)



**SWINGAWAY SMALL TABLE**

Width 320 x Depth 240



**SWINGOVER LARGE TABLE**

Table rests on both armpads

© Magic Mobility 2016

## Comments

--

## Magic 360

€

<b>Base Price</b>	<input type="text"/>
Total Of Additional Equipment	<input type="text"/>
Packaging And Transport	<input type="text"/>
Exclusive VAT	<input type="text"/>
VAT	<input type="text"/>
<b>Total Price</b>	<input type="text"/>

Date

Signature

Day      Month      Year

**Sunrise Medical GmbH**

Kahlbachring 2-4  
69254 Malsch/HD

Tel: +49 (0) 7253-9800

Fax: +49 (0) 7253-980111

E-Mail: [export@sunrisemedical.de](mailto:export@sunrisemedical.de)

[www.SunriseMedical.de](http://www.SunriseMedical.de)